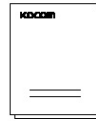


## Accessories

 Screw for fixing



User's Manual

## Warranty



To receive after-Sale service, have the following ready when you contact our branches

1. Name of the product
2. Model number of the product
3. The area of problem
4. Phone number and address at which you can be contacted.

## Warranty Card

PRODUCT	
MODEL	
DATE PURCHASED	
WARRANTY PERIOD	
AGENCY ADDRESS	

### ■ KOCOM Warranties the original purchaser of product as follows.

- 1) This product is produced under strict quality control and inspection procedures.
- 2) If this product breaks down during proper use as a result of product defect, KOCOM will repair it within one year from date of purchase free of charge.
- 3) The following cases will be subject to charge, even during warranty period :
  - a. Breakdown during transport, or through careless treatment, by consumer.
  - b. Breakdown cause by unauthorized repair or system modification.
  - c. Breakdown caused by natural disaster or power disorder.

**KOCOM CO.,LTD.**

<http://www.kocom.com>

E-mail: [export@kocom.co.kr](mailto:export@kocom.co.kr)

This manual is based on the date as shown in the right and specifications are subject to change without notice for quality improvement.

KCD-V850

09.03.01

# KOCOM

## COLOR VARIFOCAL DOME CAMERA

### KCD-V850 User's Manual for Operation and Installation

#### ◆ Features

1/3" Interline Super HAD CCD (SONY)  
 High Sensitivity  
 Low Smear  
 Varifocal Lens (f: 4-9mm) DC Auto Iris  
 550TVL (410K Pixels)  
 Easy to Install Mechanism  
 120 (Ø) Dome size

Thank you very much for purchasing KOCOM CCTV Camera. Please read this manual thoroughly to ensure correct usage, before operation



### Caution

RISK OF ELECTRIC SHOCK DO NOT OPEN



CAUTION : TO REDUCE THE RISK OF ELECTRIC SHOCK DO NOT REMOVE THE COVER (OR BACK). NO USER-SERVICEABLE PARTS INSIDE, REFER FOR SERVICE TO QUALIFIED SERVICE PERSONNEL.

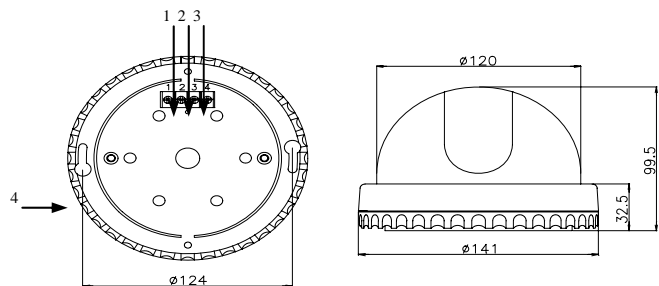


The exclamation point within an equilateral triangle is intended to alert the user to the presence of important operating and maintenance (servicing) instructions in the literature accompanying the appliance.

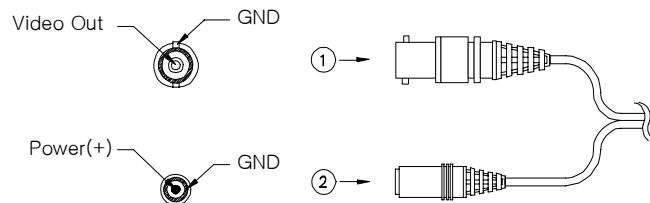
### WARNING

TO REDUCE THE RISK OF FIRE OR ELECTRIC SHOCK, DO NOT EXPOSE THIS APPLIANCE TO WATER, OR WET LOCATIONS.

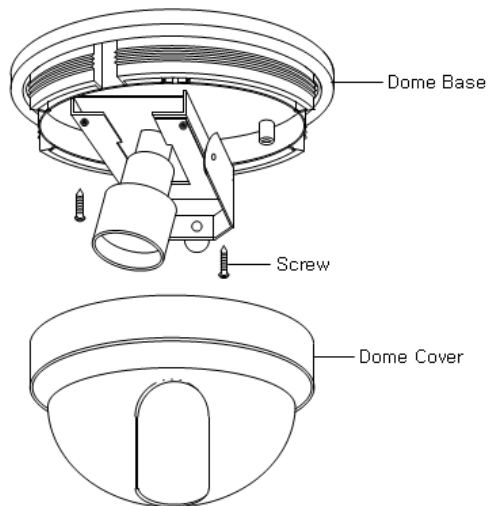
## Dimension & Component's Name



1. Power In , 2. GND, 3. Vide Out, 4. Base Fixing Hole,



## Installation



## Specifications

Model	KCD-V850	
Signal System	NTSC	PAL
Total/ Effective pixels	410K/380K	470K/440K
Pick-up Device	1/3" Interline Super HAD CCD (SONY)	
Lens	Varifocal Auto iris (f: 4-9mm)	
Lens Mount	Board	
Signal Process	Digital Signal Process	
Scanning System	2:1 interlace	
Sync. System	Internal	
Scanning Frequency	59.94Hz(VD)	50Hz(VD)
Resolution	550 TV lines (H)	
S/N Ratio	More than 48dB	
Standard Illuminance	2000Lux (3200 °K)	
Video Output	1.0Vpp composite(75Ω)	
Sensitivity	0.2Lux	
Shutter Speed	1/60 ~ 1/100,000sec	1/50 ~ 1/100,000sec
Power Source	DC10V ~ 14V	
Power Consumption	Less than 1.0Watts	
Operating Temperature	-10℃ ~ 50℃ (Humidity : 0%RH ~ 80%RH)	
Storage Temperature	-20℃ ~ 60℃ (Humidity : 0%RH ~ 85%RH)	
Dome Size (mm)	120(Ø)	
Weight	500g (With Cable)	

## Trouble Shootings

Trouble	What to do?
No video on the monitor screen	Check camera and monitor power. Check the power polarity. Check the video cable connection.
Color rolling	It happens when the camera is exposed between too strong and too weak light. It isn't a faulty problem and please change the camera position.
The image on the screen is dimmer.	Check if the lens is stained. If dirty, clean the lens with soft and clean cloth. The image is dimmer at night than daytime. If focus is not right, adjust it at daytime.
Black and thick bars roll and too noisy on the screen.	Check the power adaptor capacity. If the capacity is less than 300mA, please change it to over 300mA. If there are too noise, check video coaxial cable.